

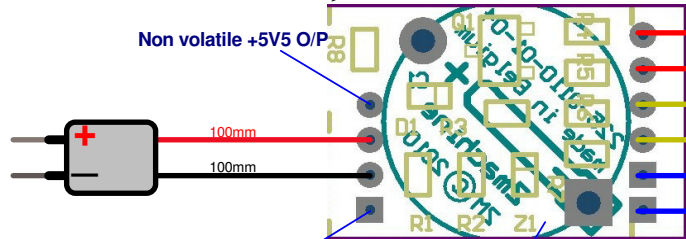
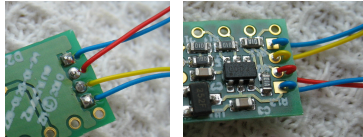
1

2

3

4

Please use non plated through holes to secure wiring



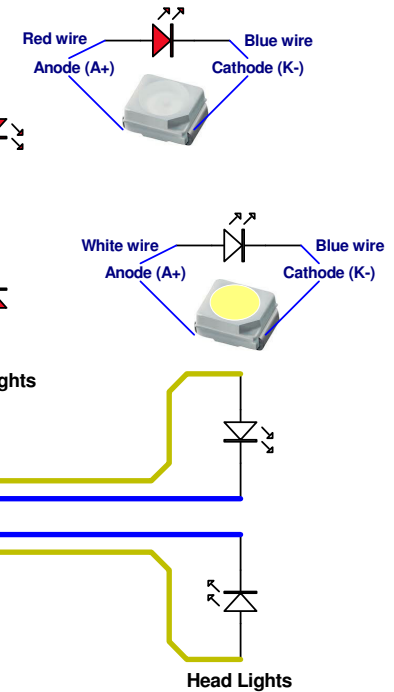
Non volatile +5V5 O/P

All square pads are negative common or return (0 volt)

!!! CAUTION !!! SuperCap is polarized !!!

Soldering all wires previously to SuperCap is much more comfortable, wires & SuperCap may be mounted on any side of the PCB.

See our website <http://www.zmachine.be> for this assembling operation



Model #150W

Features :

- \* Reverse voltage & overcurrent protection
- \* Stabilized power head & tail lights (w. energy backup by 0.22F SuperCap)

Main characteristics :

Dimensions (L x l x h) : 15 x 10 x 6 mm max (w. supercap)  
 Weight : +/- 2.6 gr (w. power conn & supercap)  
 Power supply : min 8Vdc/ac - Max 25Vdc/ac (Davic compatible)  
 Power consumption : Max 68mA peak - 20mA continuous (@12.8Vdc)

Model #150W RTA kit - P/N E225-0150-24-50

Parts list :

- 1 ea. Basic PCB assy. ref# E225-0130-01-64
- 1 ea. Supercap 0.22F/5V5 ref# E225-0140-01-94
- 1 ea. Power male conn. ref# E225-0141-02-01
- 1 ea. Power female conn. ref# E225-0141-03-02
- 2 ea. Prewired front warm white white PLCC led ref# E225-xxxx-xx-xx
- 2 ea. Prewired rear super red PLCC led ref# E225-0143-02-07

# #150W

rev. 18/01/2011



<http://www.zmachine.be> - [phl@zmachine.be](mailto:phl@zmachine.be) - Zmachine Electric Motorsport

1

2

3

4